

ASSA ABLOY is the global leader in door opening solutions, dedicated to satisfying end-user needs for security, safety and convenience



Please Note:

This document is provided as a dimensional reference and should not be printed as a drilling template unless it can be correctly scaled to 100% by your printer.

ASSA ABLOY Australia Pty Limited
235 Huntingdale Road,
Oakleigh Victoria, 3166
Australia

info.au@assaabloy.com
assaabloy.com.au

ASSA ABLOY New Zealand Ltd.
6 Armstrong Road
Albany, North Shore City, 0632
New Zealand

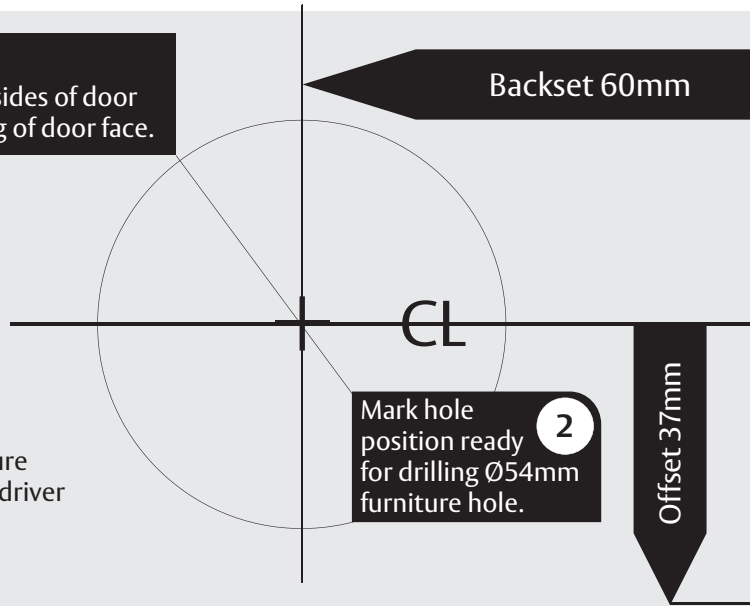
info.nz@assaabloy.com
assaabloy.co.nz

Door and pull preparation template

Q50117 A 042013

Important Note
Drill hole from both sides of door to prevent splintering of door face.

- Tools Required**
- Ø54mm Hole saw
 - Ø25mm Spade bit
 - Ø2mm Drill bit
 - Power drill
 - 25mm Chisel
 - Pencil
 - Ruler or tape measure
 - Phillips head screw driver



Fold here on door edge

Tear along perforated line

5 10 15 20 25 30 35

Guide only

1

Please ensure that all necessary safety precautions are taken when installing this product.

5 10 15 20 25 30 35

Guide only

3

Latching Passage Set door preparation and bolt with pull installation (steps 1 - 11)

1

900mm

Mark line on the door face approximately 900mm from the floor. Tear along perforated line on template. Fold page along --- dashed line and place fold on door edge. Align CL with marked line on door face.

2

1. Find centre of door edge and mark ready for drilling Ø25mm latch hole.
2. Mark hole position ready for drilling Ø54mm furniture.

3

If using a pre-prepared door, use the template to mark the location of the second Ø25mm hole.
(Go to step 6)

4

Drill Ø2mm pilot hole squarely through the door.

5

Ø54 mm
Ø25 mm

2 1

1. Drill Ø25mm latch hole to depth of 70mm, ensure hole is drilled squarely.
2. Drill a Ø54mm furniture hole, from both sides of door to prevent splintering.

6

3

3. Drill the second Ø25mm bolt hole 70mm deep.

7

Insert bolt into Ø25mm holes, mark around latch face plate.

8

Chisel out recess to suit face plate. Face plate must be flush with door face.

9

Insert bolt, then drill Ø2mm pilot holes and affix with screws provided.

10

Press the retractable door pull button to release it. (Press it to reset).

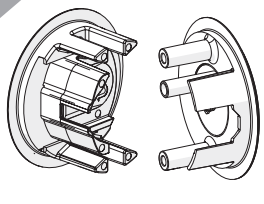
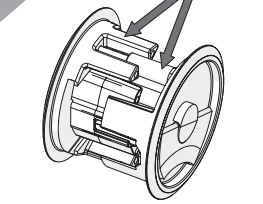
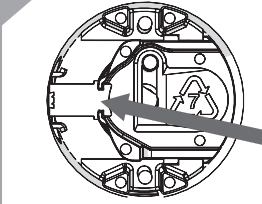
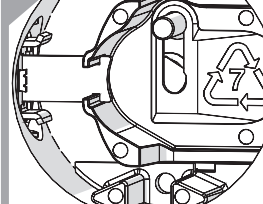
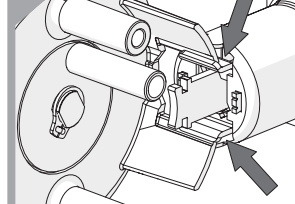
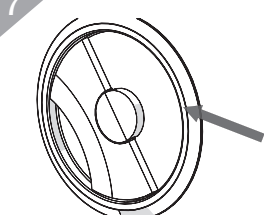
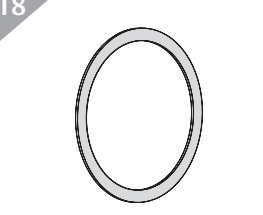
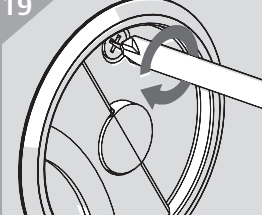
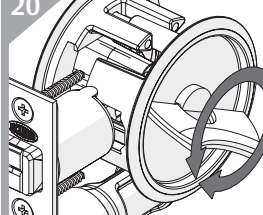
11

Pull on the retractable door pull to remove door from cavity.

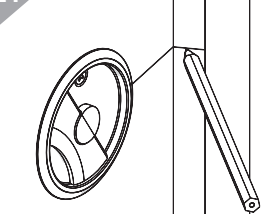
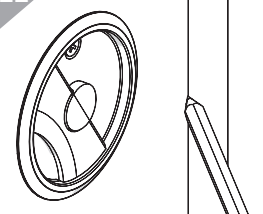
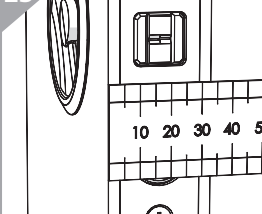
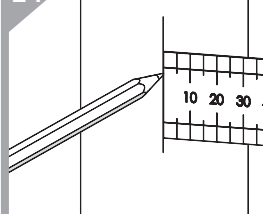
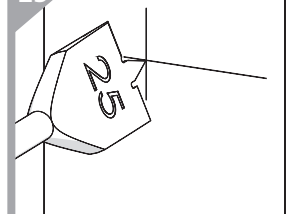
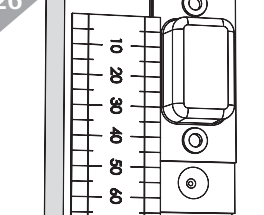
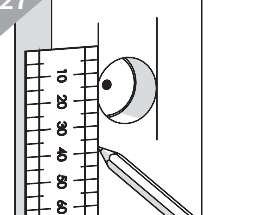
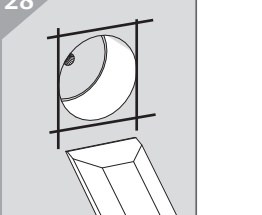
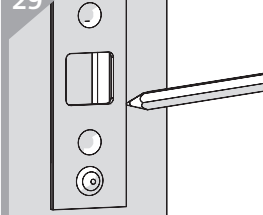
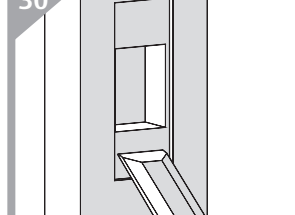
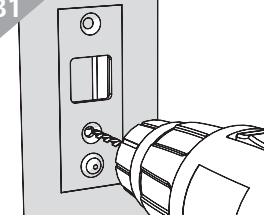
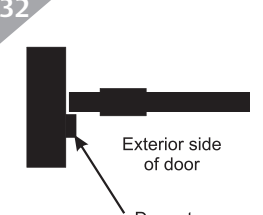
1
3
Find centre of door edge and mark ready for drilling Ø25mm bolt holes

Fold here on door edge

Latching Passage Set installation (steps 12 - 20)

<p>12</p>  <p>Furniture assembly.</p>	<p>13</p>  <p>Assembly shows both sides interlocking.</p>	<p>14</p>  <p>Internal Furniture Engages with the tailbar from the bolt.</p>	<p>15</p>  <p>Internal Furniture in place.</p>	<p>16</p>  <p>External Furniture Engages with the tabs on the bolt.</p>
<p>17</p>  <p>Fit furniture side first.</p>	<p>18</p>  <p>If door is less than 33 mm thick use packers. Fit the packers to the inner faces of the furniture, against the door face.</p>	<p>19</p>  <p>Fix furniture with the screws provided.</p>	<p>20</p>  <p>Test bolt with the thumb turn, or coin edge in privacy version.</p>	

Strike preparation and installation (steps 21 - 31) Door stop installation (step 32)

<p>21</p>  <p>Partially close door and mark a horizontal line, centre of the latch bolt on the door jamb. Extend horizontal line along the inside face of the door jamb.</p>	<p>22</p>  <p>Mark a vertical line down the door jamb, along the edge of the door.</p>	<p>23</p>  <p>Measure and halve the door thickness.</p>	<p>24</p>  <p>From the vertical line on the door jamb, measure and mark half the door thickness. Draw a second line.</p>	<p>25</p>  <p>Drill Ø25mm hole 20mm deep.</p>
<p>26</p>  <p>Strike basin measures 35mm high.</p>	<p>27</p>  <p>Mark two lines symmetrically either side of the Ø25mm hole centre line.</p>	<p>28</p>  <p>Chisel out basin recess to depth of hole.</p>	<p>29</p>  <p>Fit and mark around strike plate, taking care to keep vertical.</p>	<p>30</p>  <p>Chisel out strike plate recess. Strike plate must be flush with jamb.</p>
<p>31</p>  <p>Drill Ø2mm pilot holes, affix with screws provided.</p>	<p>32</p>  <p>A door stop is recommended on the external door face when using a key locking application.</p>			